

### Vs302 BNC Ethernet extender



1-Port 10/100Base-TX + 1-Port BNC , 10/100Mbps, Ethernet over Coaxial Extender

#### Features:

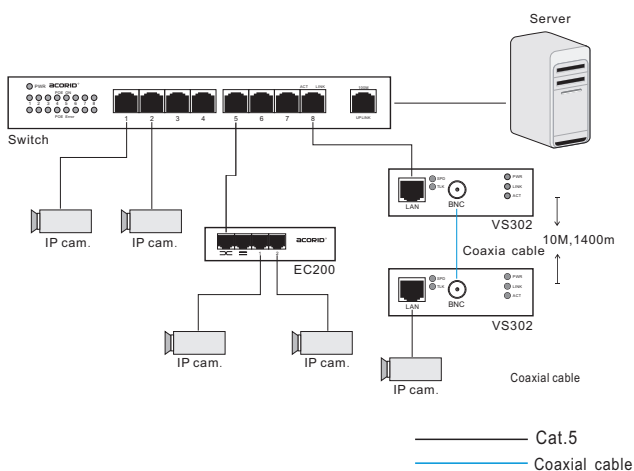
- ▶ With the standard coaxial cable 10Mbps,1400m.
- ▶ Conforms to IEEE802.3i 10Base-T and IEEE802.3 low control.
- ▶ LED indicator to display the current status.
- ▶ Lighting proof and compact desktop design.
- ▶ Plug and play,without any configuration
- ▶ Used in paris.

#### Specification

##### Etherne Distance extension via Coaxial

VS302 is the high-performance Ethernet-over Coaxial cable that converts between twisted pair (UTP) and coaxial cable for every kind of IP Ethernet application. It offers the absolutely fastest data transmission speed over existing coaxial cable without the need of rewiring. On the UTP side, the VS302 uses the standard of RJ-45 connector that supports CAT-5/5e or above wiring with the distance up to 100 meters (328 feet). On the coaxial cable side, the VS302 utilizes a BNC connector that supports 50ohm or 75ohm coaxial cable with the distance up to 1400 m. It is ideal for extending the distance and signal conversion by transmitting the Ethernet data from the coaxial cable for any type of IP netowrk device such as IP camera, wireless access point, NVR and digital signage.

#### Application Diagram



Standard	IEEE 802.3、IEEE 802.3u、IEE802.3x
Connector	1xRJ45,1xBNC
Cabling	Coaxial cable
Data rate	10/100Mbps
Distance	10Mbps,1400m / 100Mbps,300m
Performance Specification	Store-and-forward
Network Latency	Less than 20μs for 64-byte frames in Store-and-forwardmode for 100Mbps to 100Mbps transmission
Power	DC5V
Power Consumption	<3W
Temperature	0~50°C (Operating) -20~70°C(Storag)
Humidity:	10~90% non-codensing
Dimension	110×90×28mm
Weight	0.45kg
Safety	CE/RoHs/FCC

#### Ordering information

VS302, long distance ethernet extender with BNC port, 10Mbps, 1400m.

All specifications and photos are subject to change without any prior notice

Acorid Communication Technology Co.,LTD  
Tel:+86-755-29557470